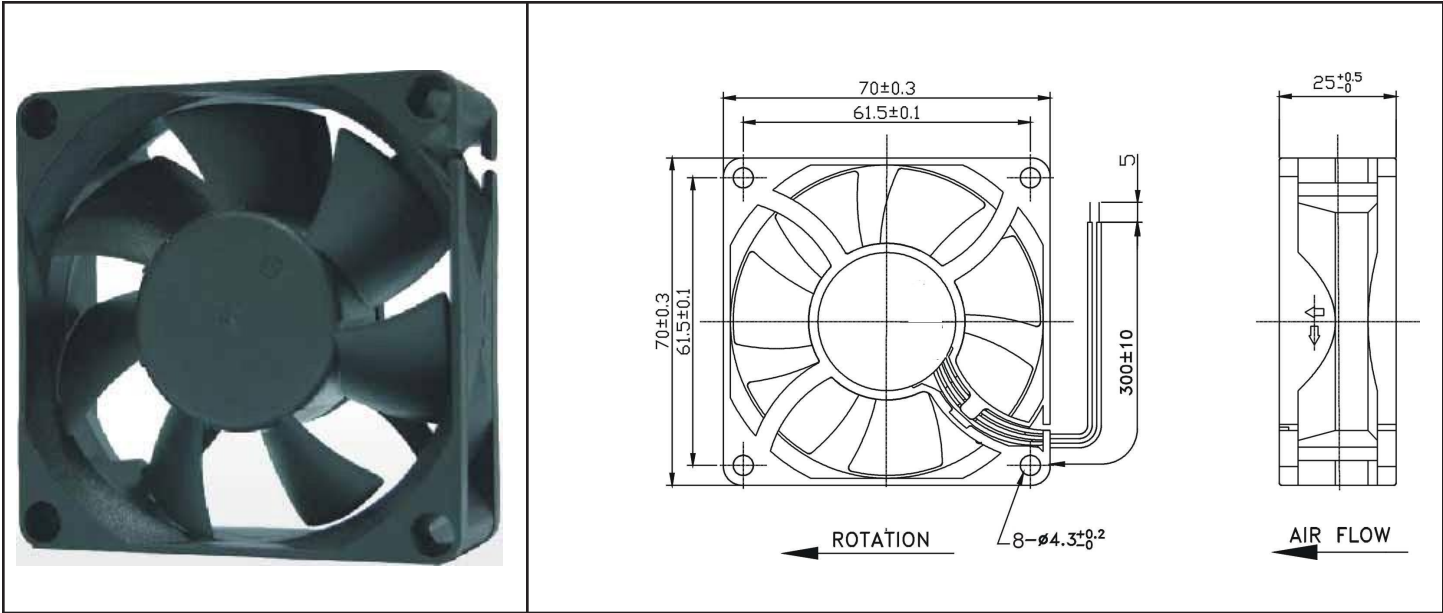


OD7025-24HHB



DC Fan, 24VDC
70x25mm (2.76x1.0in)



Frame & Impeller	PBT, UL94V-0 plastic	<u>Available Options</u> IP55 Other speeds and voltages Alarm Tachometer PWM *Connection: Wire Leads - UL1007 24AWG Red(+), Black (-), Weight: 90 g	
Connection	2x Lead wires *		
Motor	Brushless DC, auto restart, polarity protected.		
Bearing System	Dual ball bearing		
Insulation Resistance	Min. 10M at 500VDC		
Dielectric Strength	1 second at 500VAC max leakage 500 microamp		
Temperature Range	-10C ~ +70C		
Storage Temperature	-40C ~ +80C		
Life (L10)	70,000 hours (40C)		

Model Number	OD7025-24HHB
Part Number	114251001
Nominal Voltage	24 VDC
Voltage Range	17~26.4 VDC
Nominal Current	.20 A
Rated Power	6.24 Watts
Rated Speed (RPM)	5000
Airflow (CFM)	51
Noise Level (dB)	46
Max. Static Pressure	.35 "H ₂ O

